

Delta

27TB and 27TG



Tandem-Axle Tilt Bed Trailers

Bumper Pull and Gooseneck



DELTA TRAILERS • 1-800-556-2283 • www.deltatrailers.com



27TB and 27TG

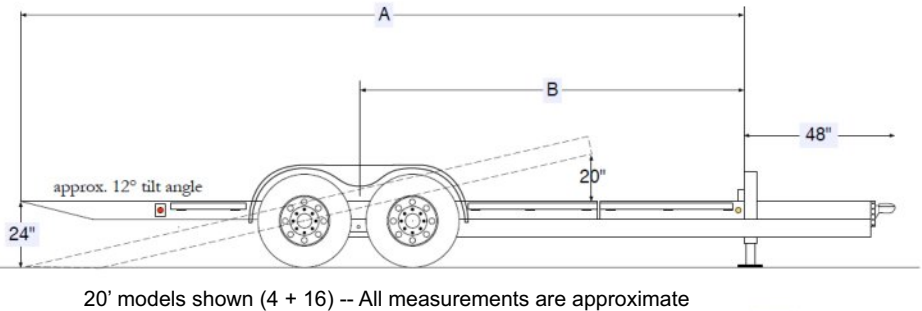
TANDEM-AXLE TILT BED TRAILERS BUMPER PULL & GOOSENECK

S P E C I F I C A T I O N S

G.V.W.R.	14,000#	FENDERS	Diamondplate Teardrop with Full Backplate
COUPLER (GN)	2 5/16" Adjustable Gooseneck Coupler	TILT-SYSTEM	Hydraulic Dampening System
COUPLER (BP)	2 5/16" Coupler on Leveler Track	LOADING AREA	Split Diamondplate Loading Edge
AXLES	Tandem 7,000# Single Wheel	LIGHTS	All LED Stop, Tail, Turn and Clearance
SUSPENSION	Dexter Torflex Axles (Independent Suspension)	ELECTRIC PLUG	7-Way RV Style
BRAKES	Electric Brakes on All Axles	PREP	3-Step Acid Washed with Phosphorus Solution
TIRE	ST235/80R16 (10 Ply)	PRIMER	Rust Resistant Epoxy Primer
WHEEL	16 x 6, 8-Bolt	PAINT	High Solid Urethane
FRAME (GN)	5" Channel with 5" Channel Stacked Support	PINSTRIPES	Painted Pinstripes
FRAME (BP)	5" Channel	WIDTH	83" Wide (Approx)
GOOSENECK (GN)	8" Channel	DECK HEIGHT	Approx. 27" Standard
TONGUE (BP)	5" Channel	STORAGE (GN)	Chain Basket Between Uprights
CROSSMEMBERS	3" Channel on 16" Centers	STORAGE (BP)	Storage Area in A-Frame (Expanded Metal)
SAFETY CHAINS	Heavy Duty with Safety Latch Hooks	WIRING	Front Mount in Conduit
JACK	Single 12,000# Spring Loaded Drop Leg Jack	REFLECTIVE TAPE	Required D.O.T. Reflective Taping
TOP FRAME	2" x 5" Tubing with Rub Rails & Stake Pockets	SAFETY	Emergency Breakaway Switch & Battery Backup
FLOOR 2"	2" Pressure Treated Pine		All specifications subject to change without notice.

M E A S U R E M E N T S

Model	Length	Front (Fixed) Deck	Tilt-Deck	A	B
27TG(B)-18	18'	2'	16'	216	112"
27TG(B)-20	20'	4'	16'	240	136"
27TG(B)-22	22'	6'	16'	264	160"
27TG(B)-24	24'	8'	16'	288	184"



O P T I O N S

- Lid for Chain Basket
- Extra Spring Loaded Jack (Dual Jacks)
- 2-Speed Jack System (includes 2nd Jack)
- Metal Floor (3/16" Diamondplate with crossmembers on 12" centers)
- Shrinkwrap Electrical Connections
- Full Power Up/Down Option (Hydraulic pump system)
- Blackwood (rubber infused lumber) excellent traction
- Removable Diamondplate Fenders
- D-Rings
- Spare Wheel
- Spare (Complete Tire & Wheel)
- 8K axle upgrade (includes frame reinforcement)
- Add 3rd 7K axle (includes frame reinforcement & tri-axle fenders)

